



Developer's Guide

## Developer's Guide for Intel® Processor Graphics For 4th Generation Intel® Core™ Processors

---

### Abstract

This guide helps developers optimize their graphics apps for use on 4th generation Intel® Core™ processors. After an overview of the processor graphics hardware, you'll find tips for programming and optimizing your code whether you use DirectX\* or OpenGL\*. You'll also find references to some key code samples.

## Table of Contents

1	Introduction.....	3
2	Architectural Overview.....	4
2.1	Processor Graphics – An Overview of the GPU.....	4
2.2	Graphics Hardware Changes in 4th Gen Intel Core processors.....	5
2.3	Intel® Turbo Boost Technology 2.0.....	5
3	Tools.....	6
3.1	Intel® Graphics Performance Analyzers (Intel® GPA).....	6
3.2	Intel VTune™ Amplifier XE.....	9
4	Common Optimizations.....	10
4.1	Target Intel Processor Graphics.....	10
4.2	Consider Memory Bandwidth.....	10
4.3	Multisample Anti-Aliasing (MSAA).....	11
4.4	Faster Graphics Driver.....	12
4.5	Resource Clears and Copies.....	13
4.6	(OpenGL only) Use Vertex Buffer Objects and Frame Buffer Objects.....	13
4.7	(OpenGL only) Use Fence Objects for Synchronization.....	14
4.8	Implicit Resolve Operations.....	14
4.9	Geometry Pipeline.....	14
4.10	Shader Optimization.....	15
4.10.1	Shader Constants.....	15
4.10.2	Register Pressure.....	16
4.10.3	Built-ins.....	16
4.10.4	Atomic Operations.....	16
4.11	(OpenGL only) Don't Confuse glFinish and glFlush.....	16
4.12	Mipmaps.....	16
4.13	Checking the Amount of Graphics Memory.....	16
5	Intel Iris Graphics Extensions.....	17
5.1	(DirectX only) Intel Iris Graphics Extensions to DirectX API.....	17
5.1.1	(DirectX only) Checking if Extensions are Available.....	17
5.1.2	(DirectX only) Intel Iris Graphics Extension for Pixel Synchronization.....	17
5.1.3	(DirectX only) Intel Iris Graphics Extension for Instant Access.....	18
5.2	(OpenGL only) Intel Iris Graphics Extensions to OpenGL.....	21

## Developer's Guide for Intel® Processor Graphics

5.2.1	(OpenGL only) Fragment Shader Ordering.....	21
5.2.2	(OpenGL only) Map Texture.....	21
6	Power Efficiency.....	22
6.1	Power Background.....	22
6.2	Power Efficient Programming.....	22
6.3	Power Analysis Workflow.....	24
7	DirectX 9.....	25
7.1	Legacy Fixed-Function State.....	25
7.2	FOURCC Extensions.....	26
	Appendix - Example Code.....	26
	GPU Detect.....	26
	Pixel Synchronization Sample - Programmable Blend.....	27
	Instant Access Sample - CPU Texture Compositing.....	27
	References.....	28

## 1 Introduction

With the release of 4th generation Intel Core processors, developers have a new set of powerful graphics capabilities. This guide introduces the graphics hardware architecture of 4th gen Intel Core processors. It also gives best practices for writing code that uses Intel® processor graphics on those processors.

Here's a quick comparison of the graphics capabilities of Intel Core processors, showing the evolution from the 3rd gen to 4th gen processors.

**Table 1.1: Comparing the best of Intel 3rd generation with Intel 4th generation processor graphics**

	3rd gen Intel® Core™ processor	4th gen Intel® Core™ processor		
	Intel® HD Graphics 4000	Intel® HD Graphics	Intel® HD Graphics 4200/4400/4600	Intel® Iris™ Pro Graphics 5200, Intel™ Iris™ Graphics 5100, Intel® HD Graphics 5000
APIs	DirectX* 11.0 DirectX Shader Model 5.0 OpenGL* 4.0 OpenCL* 1.1	DirectX* 11.1 DirectX Shader Model 5.0 OpenGL* 4.2 OpenCL* 1.2		
Execution Units (EUs)	16 EUs	10 EUs	20 EUs	40 EUs
Floating point ops per clock	256	160	320	640
Threads/EU (total)	8 threads/EU, (128 total)	7 threads/EU, (70 total)	7 threads/EU, (140 total)	7 threads/EU, (280 total)
Texture sampler(s)	2	1	2	4
Fill rate	4 pixels/clock	2 pixels/clock	4 pixels/clock	8 pixels/clock
	Single-clocked geometry pipe	Double-clocked geometry pipe		
				128 MB eDRAM (Intel Iris Pro Graphics 5200 only)

This guide introduces the graphics hardware of these processors and walks through suggested tools. It also gives performance recommendations for DirectX and OpenGL programmers.

## 2 Architectural Overview

### 2.1 Processor Graphics – An Overview of the GPU

The graphics hardware architecture in the 4th gen Intel Core processor is similar to that in the 3rd gen processor. Its modular architecture allows different versions of the processors to be more easily designed. There's some fixed function graphics hardware, and the rest of the GPU is made up of "slices." Each slice contains some shared hardware, such as a pixel front-end, pixel back-end, and level 3 cache, along with a group of execution units (EUs) and samplers. Within a slice, there are two identical sets of EUs with a sampler. These GPUs can be produced in variations with a half-slice, one slice, or two slices, to provide GPUs with different amounts of graphics power.

As with earlier generations, the graphics processor is manufactured in the same die as the CPU, giving significant power and performance advantages. The option to manufacture a second slice is new in 4th gen processors, producing the most capable processor graphics parts from Intel.

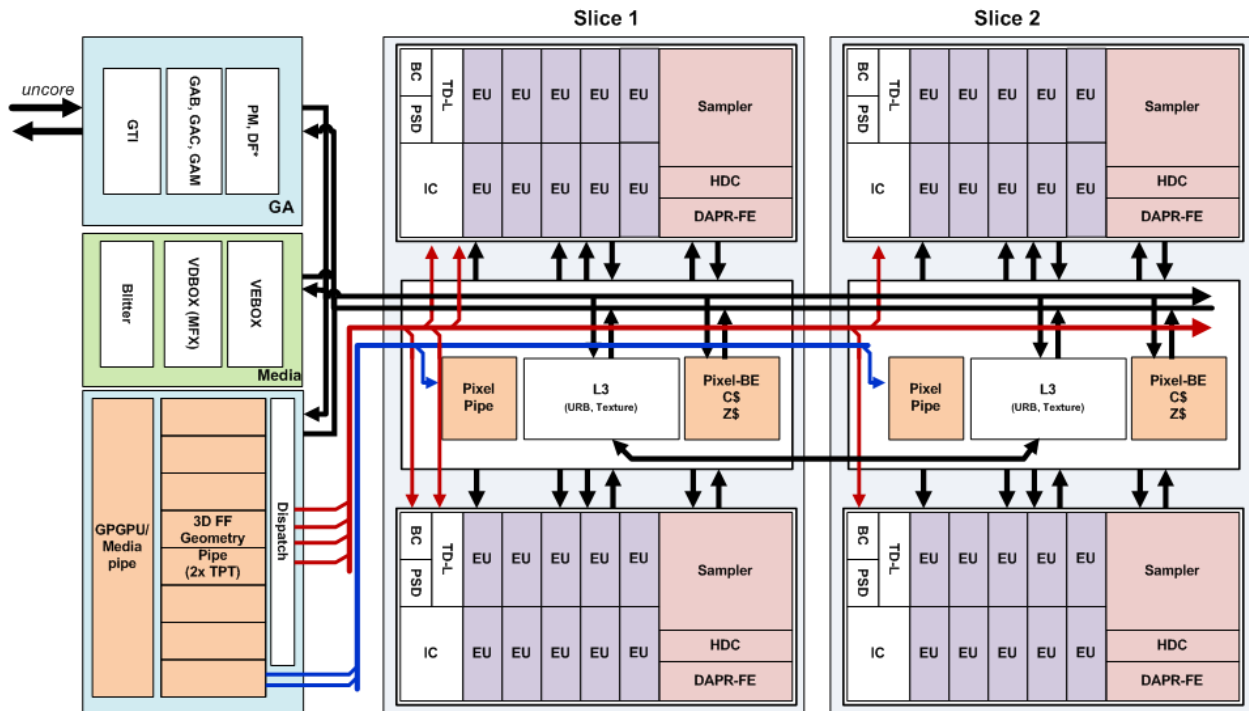


Figure 2.1: Overview of processor graphics (Intel™ Iris™ Graphics 5100 shown)

There are a number of different graphics parts, with varying frequency ranges and packaging options. These processors are available in 2-in-1 systems, tablets, notebooks, desktops, all-in-ones, and servers. The products start with the base-level Intel® HD Graphics with 10 EUs and 1 sampler. They continue with the Intel® HD Graphics 4200/4400/4600 parts with 20 EUs and 2 samplers. Intel® HD Graphics 5000 increases that to 40 EUs and 4 samplers. The Intel® Iris™ Graphics 5100 and Intel Iris® Pro™ Graphics 5200 parts complete that story

at the higher end with higher operating frequencies, and the addition of a fast eDRAM cache to Iris Pro Graphics 5200.

## 2.2 Graphics Hardware Changes in 4th Gen Intel Core processors

The 4th gen Intel Core processor graphics provides a number of architectural improvements over the 3rd gen, namely:

- **Geometry pipeline** - With these 4th gen architectural changes, the fixed-function geometry pipeline throughput is roughly doubled since 3rd gen.
- **Sampling with comparison** - Because of these architectural changes, sampling with comparison (e.g., the DirectX "SampleCmp") is up to four times faster (now 1 pixel/clock/sampler). Shading passes that make heavy use of percentage-closer filtering (PCF) sampling from shadow maps see a large improvement.
- **Sampling with offset** - Sampling with a per-pixel offset is up to twice as fast as 3rd gen, thanks to these 4th gen architectural changes. This feature is also commonly used for shadow mapping and other multi-tap filtering operations.
- **Alpha-tested objects** - Rendering overlapping alpha-tested objects is now much faster.
- **Intel Iris Pro Graphics adds eDRAM** - As the highest-performing of the 4th gen processors, the Intel Iris Pro Graphics 5200 adds a large on-chip, last-level cache, made with eDRAM. Simply use cache-friendly access patterns to take advantage of this eDRAM; no additional work is required. This can give a large performance gain to memory bandwidth-heavy operations like particle blending, post-processing, and other "write-then-read" operations, like shadow or reflection map rendering.

To get the best performance and stay current with the latest graphics API features, use our latest graphics drivers. For the latest DirectX/OpenGL drivers for Windows\* and Linux\*, visit your OEM's download site or [downloadcenter.intel.com](http://downloadcenter.intel.com). Find the latest open-source development drivers for Linux at <https://01.org/linuxgraphics>.

## 2.3 Intel® Turbo Boost Technology 2.0

Both the CPU and processor graphics benefit from Intel® Turbo Boost 2.0 Technology<sup>i</sup> (sometimes called "Turbo mode"), which increases either the CPU or graphics frequency as needed, when the total system load allows for it. For example, if an application runs a CPU-intensive section, the processor can increase the frequency above its rated upper power level for a limited amount of time using the Intel Turbo Boost Technology. Similarly, if the CPU is not maxed out and the graphics are fully loaded, it is possible for the system to increase the graphics frequency. This technology runs automatically to give your application the best performance available within power and temperature constraints.

## 3 Tools

When you're ready to understand how your application runs on an Intel GPU, you'll need some tools. With the correct tools, you'll be able to find and fix performance problems in your application. Below is a list of some useful tools that we often use to identify performance issues. The most feature-rich tools are available for studying DirectX applications.

### 3.1 Intel® Graphics Performance Analyzers (Intel® GPA)

The Intel® Graphics Performance Analyzers (Intel® GPA) is a suite of graphics analysis and optimization tools to help game developers make games and other graphics-intensive applications run faster. Intel GPA provides extensive functionality to allow developers to perform in-depth analysis of graphics API calls and determine where the primary performance issues arise. Many of the experiments and metrics shown in this guide are from Intel GPA.

Intel GPA lets you study the graphics workload of DirectX apps on Windows, and OpenGL ES\* apps on select Intel processor systems running the Android\* OS. While it cannot directly monitor OpenGL API calls, you can still use Intel GPA System Analyzer to study real-time metrics including GPU and CPU metrics as your OpenGL game runs.

Regardless of the graphics API, you can also use Intel GPA Platform Analyzer to see the detailed CPU load, including any OpenCL activity. If you want a closer look, Intel GPA has an API for adding your own instrumentation.

You can learn more and download Intel GPA here: [www.intel.com/software/GPA/](http://www.intel.com/software/GPA/)



Figure 3-1: Collect real-time stats with the Intel® Graphics Performance Analyzers HUD



Figure 3-2: Or use the Intel® Graphics Performance Analyzers System Analyzer to show real-time stats

The first step is to use Intel GPA to collect real-time performance stats. Intel GPA has two different modes for real-time data display (both shown above): The heads-up display (HUD) that runs on top of your application and System Analyzer that connects to your test system across the network. Either tool can show metrics from the DirectX pipeline (OpenGL ES pipeline on some Intel processors), CPU utilization, and system power. On



supported Intel processor graphics systems, you also get extensive GPU hardware metrics. The HUD and System Analyzer provide simple experiments to help you quickly detect performance issues. See the [Intel GPA documentation](#) for more details on the HUD and System Analyzers features and functionality.

While the HUD is unable to show OpenGL details, you can use System Analyzer's System View mode to study GPU metrics in realtime.

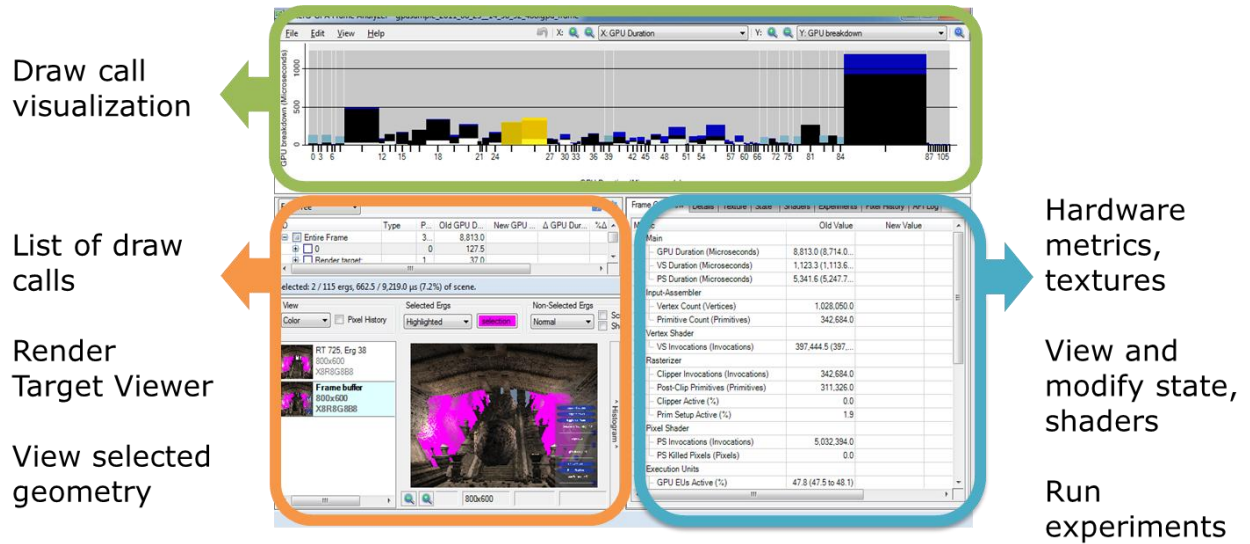


Figure 3-3: Intel® Graphics Performance Analyzers Frame Analyzer shows your frame in detail

Intel GPA contains a Frame Analyzer, a tool for deep analysis on a captured frame. The complete frame and all its resources are contained in the frame capture. This lets you study individual draw calls and the state, geometry, textures, and shaders that make up the frame. This in-depth analysis shows a number of metrics, including data on all Intel graphics performance counters, such as the amount of time the EUs are stalled for a particular call or group of calls.

For CPU bottlenecks, you may find Platform Analyzer useful for DirectX and OpenGL workloads. It displays a captured trace of CPU activity. If you add instrumentation to your code, it lets you correlate individual tasks running on the CPU and watch their progress through DirectX, the driver, and in to the GPU.

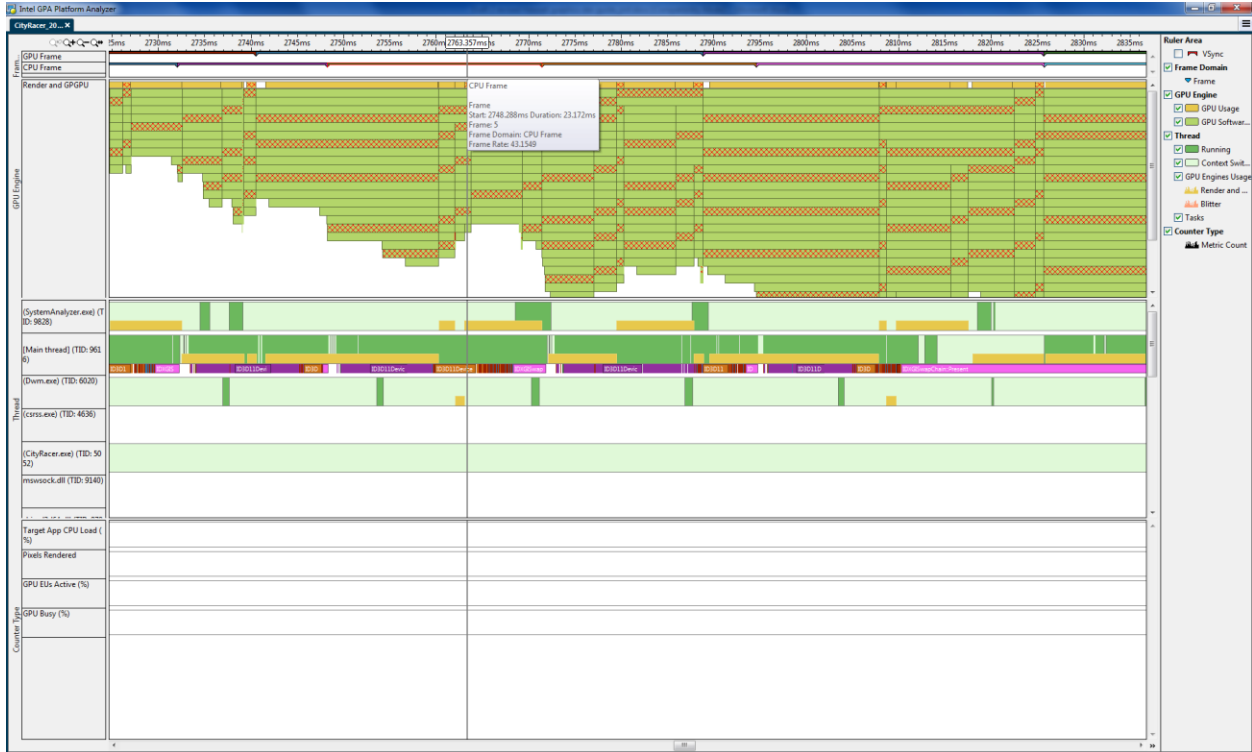


Figure 3-4: DirectX® 11 trace in Intel® Graphics Performance Analyzers Platform Analyzer, showing GPU and CPU activity

In this view, Platform Analyzer shows GPU work over time at the top, with CPU activity below that, so you can correlate them.

### 3.2 Intel VTune™ Amplifier XE

One of the Intel® Parallel Studio XE tools, Intel® VTune™ Amplifier XE, helps you study the CPU performance of both serial and parallel behavior, with deep, instruction-level analysis. It can be used within Microsoft Visual Studio\* or on its own with the GUI Client. The VTune analyzer is especially useful for profiling game engine code and tuning its performance. The VTune analyzer will automatically mark DirectX frames and detect slow frames for analysis, and you can add simple instrumentation to your code to mark OpenGL frames.

You can download a trial version of the VTune analyzer here: <http://software.intel.com/en-us/articles/intel-software-evaluation-center/>

## 4 Common Optimizations

This section introduces some ways to optimize your apps for 4th generation Intel processor graphics. This guide is not definitive, but it outlines the most common issues that you are likely to encounter, whichever graphics API you may be using.

### 4.1 Target Intel Processor Graphics

To provide an optimal user experience, you should identify the hardware platform your title is running on and set pre-defined suggested settings based on the known performance characteristics of that platform. This will provide the best out-of-box experience for your customers. We recommend you test on the target hardware platform to verify playability, as this varies widely depending on the game genre. For some game genres, a rate of 25-30 frames per second is considered playable, but your target may be different. If it's practical, the best approach is to have a live, in-game benchmark to verify that the resolution and quality settings run well. Automatically running that benchmark during initialization will confirm that you have chosen acceptable defaults.

[GPU Detect](#) is a DirectX code sample that shows how to detect the GPU and offers some suggestions for quality pre-sets based on different device IDs. Because there are different packages for each graphics device ID, this sample also contains code for detecting the GPU's operating frequency. This, plus the device ID, will give you a better understanding of the performance of the GPU running your game. With this information, your game can set the default resolution, shader complexity, texture resolution, etc. for your game to give the best trade-off between performance and visual quality. See the appendix for more information about GPU Detect.

Note: The 2nd and 3rd gen Intel Core processors have demonstrated significant performance improvements over previous generations of Intel graphics platforms, and Intel's newest processors continue that trend.

### 4.2 Consider Memory Bandwidth

As the GPU has become more capable, bandwidth to main memory (RAM) has improved more slowly. Since the GPU has better throughput than previous generations, memory is more likely to become a bottleneck than before. The memory hierarchy is shared by the CPU and GPU, so larger CPU workloads will tend to increase demand on memory.

To check if your application has a GPU memory bandwidth bottleneck:

- In Intel GPA, check the GPU memory reads/writes counters. If the combined reads and writes are 1 GB per frame, typical RAM bandwidth of 25 GB/s would bottleneck the application at 25 FPS, even with an idle CPU.
- If the Sampler Busy % is high, it may indicate that the sampler is waiting on RAM. You can often see this by comparing the frame with the original textures, and then using small textures by selecting the "2x2 Textures" experiment.

- EU stalls can often be either directly caused by waiting on RAM, or indirectly via the sampler.

If you have memory bandwidth bottlenecks, you usually need to either manipulate less data or improve cache usage. Try one or more of the following:

- Compress textures where you can. In DirectX 11, the addition of the new BC6/7 formats lets you compress most static textures with minimal loss of quality.
- Reduce the bit depth of textures and other data. 32-bit floats (per component) are rarely required. Even intermediate HDR data can often be adequately represented by formats like R10G10B10A2 or R11G11B10.
- When possible, don't use lookup textures or other "gradient-like" data. Most of the time, shaders can do the math faster than a lookup. Even when artistic input is required, the result can typically still be compressed by using approximating polynomials, spherical harmonic coefficients, or similar.
- Use branching to avoid memory access. When compositing texture layers, skip the lookup if the weight of the given layer is negligible.
- Wherever possible, condense as many operations as possible into single invocations. Post-processing can be done as a single pass, instead of multiple passes through memory. If you require communication or ping-ponging, use compute shaders and split the screen into tiles (with borders if necessary). Also, prefer tiled deferred shading with a single lighting pass, instead of conventional blending-based deferred shading.
- Aggressively trim and cull particle blending passes. Discard pixels with alpha equal to zero instead of blending them to no effect. Even better, use polygons that fit the particle sprites as tightly as possible (see <http://www.humus.name/index.php?page=Cool&ID=8>, for instance).
- Render at a "useful" resolution, not necessarily full-screen.

If your application is running on Intel Iris Pro Graphics, it will have more (cached) bandwidth available; thus, cache friendly operations like particle blending will tend to have fewer bandwidth issues. When you can, try to group rendering operations so they consume data shortly after it is generated, to increase the chances the data will still be in cache.

### 4.3 Multisample Anti-Aliasing (MSAA)

Carefully consider the performance impact of MSAA and look at the tradeoff between visual improvement and cost for your game.

MSAA is supported in the 4th gen processors, but it can be expensive. 2xMSAA is not natively supported in hardware, so it runs slower. If you're going to use MSAA, use 4xMSAA instead of 2xMSAA since you'll get higher quality at the same level of performance. If possible, don't expose a 2xMSAA option to your users.

As one alternative, consider using post-process antialiasing solutions such as morphological anti-aliasing ([morphological anti-aliasing sample](#)) or fast approximate antialiasing (FXAA). You should also consider the temporal super sampling anti-aliasing technique. This technique, shown in the [DirectX dynamic resolution rendering sample](#), uses previous frame data to increase the effective sampling rate without ghosting artifacts.

Another powerful alternative is conservative morphological anti-aliasing (CMAA) ([article and sample](#)).

#### 4.4 Faster Graphics Driver

Along with the 4th gen processors, Intel released a newly architected graphics driver. One of the goals of the new driver is to "thin" the layer between the application and hardware to reduce the CPU overhead of rendering. It's more important than ever to work on overall rendering performance by increasing both the CPU and GPU efficiency.

One goal of this driver is to spend less time doing complex analysis and reordering of rendering commands in the driver, as these tasks are better suited to the application itself, which has the context to do these optimizations optimally. As much as possible, the new driver will submit rendering commands from the application to the hardware with minimal manipulation.

We recommend that OpenGL developers use core OpenGL when possible, for optimal performance in the driver.

Thus it is now even more important for applications to optimize their rendering commands, including sorting by state and eliminating redundant changes. One good solution is to encode the state required for each draw call into bit vectors and to radix-sort based on the resulting values. Put more expensive state changes into high bits (for instance, changing shaders) so that they don't change often. Other solutions are possible, but we highly recommend basic sorting and filtering of render states for any non-trivial applications.

Put another way, to get the most performance out of the graphics driver and hardware, minimize state changes and batch operations whenever possible.

Using instancing and texture arrays can also significantly reduce CPU overhead (by having fewer draw calls and associated state changes), so apply these techniques wherever possible.

Inside Intel GPA Frame Analyzer, you can study API calls to check the frequency of various state changes. Ideally, only textures and constant buffers should be manipulated at similar frequencies to the frequency of draw calls, and operations such as changing shaders and render targets should be performed as little as possible.

## 4.5 Resource Clears and Copies

Most resource copy and clear operations require render passes that can have significant set-up overhead. Because of this, small copies and clears are fairly expensive. Limit them.

While you should always clear depth and multi-sampled resources, it isn't always necessary to clear standard color render targets. For instance, when doing deferred shading, it's good enough to clear the depth buffer each frame. There is no need to clear all of the G-Buffer resources since a pixel with the depth buffer set to the depth clear value shows that no geometry is present, so the rest of the G-Buffer data can be ignored. Finally, if your code will touch all pixels in a target anyway, starting with a clear is unnecessary and may be slow.

You may see recommendations to clear a resource simply to indicate that the data in it is no longer needed, and thus to break any dependent chains. These clears can be expensive, so it's better to avoid them when possible. DirectX 11.1 introduced a "discard" operation with the proper semantics, so these extra clears are no longer required.

Full resource copies are rarely necessary. Any time resource A would be copied to B, you can usually replace references to B with references to A. If future operations would mutate A while B is still in scope, simply introduce another resource for the mutated data instead of modifying A. Since resources can usually only be bound for read *or* write in 3D APIs (the exception being via Unordered Access Views in DirectX or textures bound with `glBindImageTexture` in OpenGL), there is no need to make explicit copies of data.

This leaves sub-resource copies as the only real problem. They are often used to reorganize data, by scattering different blocks into various places in a destination buffer. If there are a large number of these operations, it may be faster to explicitly use rendering operations (e.g., draw triangles) and use the rasterizer to do the scatter operation, which will group many copies into a single draw call. Depending on the amount of data being overwritten in the destination target, it may also be faster to switch to a gather-style operation and have a pixel shader pull the relevant data for each output element.

As with other API activity, you can look for copies and clears among the API calls. Be warned, however, that the performance numbers of these ergs are misleading. For a variety of reasons, copies and clears are often executed "lazily" by the driver, and thus their performance impact may sometimes appear as part of some future operation and not where they were issued.

## 4.6 (OpenGL only) Use Vertex Buffer Objects and Frame Buffer Objects

When possible, use Vertex Buffer Objects (VBOs). When your code is using VBOs, use `GL_STATIC_DRAW` whenever you can.

For any offscreen rendering, use Frame Buffer Objects (FBOs), rather than `EGLPbuffer` or `EGLPixmap`s.

## 4.7 (OpenGL only) Use Fence Objects for Synchronization

To ensure synchronization between independent but connected data buffers (e.g., in a producer/consumer algorithm), use fence objects. For a good discussion of this subject, see

<http://mobile3dgraphics.blogspot.com/2013/01/consumerproducer-approach-for.html>.

## 4.8 Implicit Resolve Operations

Some resources have additional metadata that requires special handling. In particular, depth/stencil resources have associated hierarchical Z-buffer data that must be “resolved” before certain operations including:

- Binding the resource as a texture
- Copying the resource
- Mapping the resource
- Partially clearing the resource (i.e., not the full array/MIP chain) with a different value than previously

While these resolve operations are often required, try to avoid unnecessary resolves. For instance, rendering some geometry, and then sampling the depth buffer, then rendering some more geometry and sampling again should be avoided. Where it's possible, it's more efficient to group all writing to a given resource together and then do a single resolve before reading.

Depth and stencil are stored separately, even with the D24S8 format. Thus mapping the resource for read-back incurs an additional copy (to recombine depth and stencil), so it's not recommended. Sampling any stencil data (i.e., as a shader resource view) requires a resolve pass and should be avoided.

In general, unless high-frequency masking patterns are required, we recommend using scissor testing, depth-buffer based culling, or shader branching/discard instead of stencil on 4th gen Intel processors.

Similar to copies and clears, you can find these situations by looking at the API activity within a frame, but the performance overhead may not be represented where the API call is shown.

## 4.9 Geometry Pipeline

Diagnosing geometry pipeline bottlenecks can be tricky since bottlenecks can occur in a number of different places. If the EUs are idle much of the time, that can indicate bottlenecks in the geometry pipeline fixed-function units. Other ratios like a high percentage of culled triangles or a low ratio of pixels to triangles can also point to the need for better geometry culling or level of detail.

The fastest draw calls are the ones that don't get executed, so good culling is recommended. For those draw calls that are made, enable back-face culling. Occlusion culling can skip a large amount of work. Even though implementing occlusion culling can be a significant effort, it's often worthwhile (see the [software occlusion culling](#) sample for one technique).

It's also possible to vastly reduce geometry processing by keeping shadow maps focused on only the visible parts of the scene. See the [sample distribution shadow maps](#) article and code for one way to do this. When the

CPU does not know at the time of drawing whether an object is visible, you can use predicated rendering to skip expensive draw calls on the GPU.

Finally, use an efficient view-frustum culling algorithm in your game.

Otherwise, optimizing the geometry pipeline is similar to other GPUs:

- Use indexed primitives for maximum reuse of the vertex cache.
- Optimize meshes in a way that's cache-size-independent with an index reordering algorithm like DirectX's `ID2DX10Mesh::Optimize`.
- Minimize the size and number of vertex attributes.
- When one pass needs fewer vertex attributes (e.g., only positions for depth and shadow passes), split those attributes into a separate vertex buffer and use multiple vertex streams to minimize cache thrashing.

The geometry pipeline in 4th gen Intel Core processors has mostly doubled in throughput to match the throughput increase of the rest of the graphics hardware. One exception, however, is tessellation performance, which runs at 1 domain point per clock.

On the higher-end parts, like Intel Iris graphics and Intel Iris Pro graphics, the tessellator may become a bottleneck on heavily tessellated meshes. Take care to tessellate only as much as necessary. Focus on the areas with the biggest visual impact (e.g., silhouettes). Tessellation also often increases the impact of finer grained culling. It's usually worth implementing visibility culling in the hull shader.

## 4.10 Shader Optimization

Since the GPU has much more compute power than previous generations, you're less likely to have shading math as a bottleneck. Still, there may be some advantage to optimizing shaders (especially pixel shaders) since you'll save time (and power) over many invocations.

To spot the shaders that are ripe for optimization, look for EUs that are Active most of the time or a combination of high EU Stalls and a mostly idle texture unit.

### 4.10.1 Shader Constants

The hardware can pre-load constant buffer values (also known as uniform buffer objects) into registers if they're indexed by immediate values. Pre-loading can occur when the constants are referenced statically in the shader, instead of with a dynamic array offset. This can be much faster at runtime, but it does increase the amount of registers used, or "register pressure."

When you can, use literal values in the shaders (compile-time constants) instead of reading from constant buffers, especially for values used in loop iteration conditions or for indexing buffers, inputs, or outputs. This is especially useful in compute shaders, where you cannot use the constant pre-loading optimization.



#### 4.10.2 Register Pressure

As with any GPU, if you minimize register pressure, you can improve performance since you'll avoid spills and fills. There are a variety of ways to minimize register pressure and eliminate register spill/fills:

- Avoid creating large indexed lookup tables in shaders.
- Use a maximum group size of 512 for compute shaders. Larger group sizes require wide SIMD execution modes, which interfere with the compiler's ability to choose the best SIMD size for the given register requirements.
- If you have branches that are complex (i.e., have heavy register use) but those branches are rarely taken, you should split them into separate shaders that run over only the relevant portions of the screen. Expensive blocks may reduce the performance of the entire shader, even if the branches are never taken.

#### 4.10.3 Built-ins

When possible, use shader built-ins rather than writing your own.

#### 4.10.4 Atomic Operations

Minimize the use of global atomic operations (i.e., `InterlockedAdd`) on the same address. Instead, use UAV counters (i.e., `IncrementCounter`), which are optimized for high contention access. To find this issue, look for excessive EU stalls and atomic usage in Intel GPA or use the VTune analyzer to study your atomic operations.

### 4.11 (OpenGL only) Don't Confuse glFinish and glFlush

Many developers mix up the use of glFinish and glFlush.

- glFinish will block until the command stream is fully processed
- glFlush submits the command stream to the hardware and then flushes the memory cache

Check your code to be sure you use the correct one.

### 4.12 Mipmaps

When mipmapping, use textures that are a power of 2 in both width and height. Textures that aren't a power of 2 can be inefficient.

### 4.13 Checking the Amount of Graphics Memory

Graphics applications often check for the amount of available free video memory early in execution. Intel processor graphics enjoy an increased flexibility in memory usage. Since the graphics share the memory

controller and last-level cache with the CPU, the GPU has full access to system memory. Because of this, simple queries for “dedicated” video memory will give an inaccurate picture of how much memory is actually available for the GPU.

The [GPU Detect](#) sample described above (and in the appendix) also shows how to check available video memory for Intel processor graphics using DirectX. Use the methods shown in GPU Detect to detect the total amount of video memory. All other methods either return the local/dedicated graphics memory, so they report inaccurate results on Intel processor graphics, or report the sum of the dedicated memory and the shared memory, which is not particularly useful.

## 5 Intel Iris Graphics Extensions

To extend the capabilities of graphics applications, Intel has provided extensions to the DirectX and OpenGL APIs. Similar extensions are available for each API.

### 5.1 (DirectX only) Intel Iris Graphics Extensions to DirectX API

The D3D11 driver now supports the Intel Iris Graphics Extensions to DirectX API, extended features that are not available in the standard API. Since the API does not have a mechanism to expose vendor-specific extensions, Intel provides ways to test if the extensions are available and access the features.

To easily access the extensions, load one of the extension samples (listed in the appendix) and look at the files `IGFXExtensionHelper.h` and `IGFXExtensionHelper.cpp`.

#### 5.1.1 (DirectX only) Checking if Extensions are Available

Once the helper header and source file have been loaded in your application, it's a simple matter to check if the extensions are available.

First, call `Init`:

```
HRESULT IGFX::Init( ID3D11Device *pDevice );
```

If that succeeds, call `getAvailableExtensions`:

```
IGFX::Extensions IGFX::getAvailableExtensions( ID3D11Device
                                                *pd3dDevice );
```

The `IGFX::Extensions` result struct will contain a boolean for each feature below if it's available on your current platform. Be sure to check that an extension is available before you use the extension interface.

#### 5.1.2 (DirectX only) Intel Iris Graphics Extension for Pixel Synchronization

With DirectX 11, the programmable pipeline gained access to random access buffers in the form of unordered access views (UAVs). These allowed a new set of algorithms, typically relying on atomics or UAV counters to allocate or consume memory from their underlying buffers. However, the API does not guarantee any ordering of shader execution, nor exclusive access to the underlying memory.

Pixel synchronization provides these two guarantees for invocations of pixel shaders that happen on the same pixel location.

To use pixel synchronization, you typically index UAVs based on the current pixel location. This allows for a fixed-size per-pixel memory, with exclusive and primitive-ordered read-modify-write, allowing a host of new algorithms.

#### 5.1.2.1 (DirectX only) HLSL Interface

Now that you know pixel synchronization can be used, there are two main parts of the HLSL interface. To use them, include `IntelExtensions.hlsl`. Then, initialize the extension by calling:

```
IntelExt_Init();
```

The init step in the HLSL initializes the Intel extension framework, so that the shader compiler will look for extension uses.

```
IntelExt_BeginPixelShaderOrdering();
```

Code following this call, until the end of the shader execution, benefits from the pixel synchronization guarantees. Any UAV access based on the current pixel location will be exclusive and ordered.

#### 5.1.2.2 (DirectX only) Performance Considerations

Since the region of code after the `IntelExt_BeginPixelShaderOrdering` is executed exclusively for that one pixel location, minimize the amount of code in that region, to maximize the EU usage. You can check with Intel GPA to be sure the EUs aren't under-utilized while using the extension.

#### 5.1.2.3 (DirectX only) Use Cases

With arbitrary read-modify-write per-pixel data structures, you can do a variety of things. We show some potential uses, including:

1. A limited form of "Render Target Read" (where the render target is accessed through a UAV), as seen in the [programmable blend sample](#) that shows RGBE blending
2. A memory-bounded implementation of [adaptive volumetric shadow maps](#) (AVSM)

You might do many things with this extension, including:

1. A memory-bounded implementation of adaptive order independent transparency (AOIT, as described in the [adaptive transparency paper](#))
2. Normal map decal blending for G-buffers

### 5.1.3 (DirectX only) Intel Iris Graphics Extension for Instant Access

The 4th gen Intel Core processors use a Unified Memory Architecture (UMA), so the GPU and the CPU share the same physical memory. Therefore, it is a waste of resources (bandwidth and power) to force memory copies when the CPU writes to or reads from GPU resources.

The D3D runtime eliminates some of those resource copies when it can, but there are specific cases that are not optimized. The main cases are Texture and Render-Target resources. Instant access provides a way to map those resources directly, avoiding any additional memory copy.

### 5.1.3.1 (DirectX only) Creating, Linking, and Using Instant Access Resources

Instant access resources fit within the usual D3D resource model. You create both a CPU (staging) and a GPU resource, to allow CPU manipulation of resources. However, instant access resources are created with special initial parameters.

The easiest way to create the mapping between resources is with the helper function. As before, this is found in the files `IGFXExtensionHelper.h` and `IGFXExtensionHelper.cpp`. Create two textures to share:

```
CreateSharedTexture2D(device, const D3D11_TEXTURE2D_DESC *tex2d,
                     ID3D11Texture2D **pCPUSharedTexture2D,
                     ID3D11Texture2D **pGPUSharedTexture2D, ...);
```

They are then linked together through a call to `CopyResource`.

```
CopyResource(pCPUSharedTexture2D, pGPUSharedTexture2D);
```

Then, you can use the GPU resource as usual for rendering and the CPU resource for CPU access, with both pointing to the same underlying memory.

### 5.1.3.2 (DirectX only) CPU View of Tiled Resources

The data returned in the `pData` field of the `D3D11_MAPPED_SUBRESOURCE` structure is actually a `RESOURCE_EXTENSION_DIRECT_ACCESS::MAP_DATA` structure. This new structure contains information about the GPU resource including the CPU-side pointer to the memory.

```
struct RESOURCE_EXTENSION_DIRECT_ACCESS::MAP_DATA
{
    void*    pBaseAddress;
    UINT     XOffset;
    UINT     YOffset;

    UINT     TileFormat;
    UINT     Pitch;
    UINT     Size;
};
```

`XOffset` and `YOffset` comprise a 2D offset to the start of the sub-resource within the full surface (which can hold multiple sub-resources for a single resource).

The memory referenced by `pBaseAddress` is pointing directly to the underlying memory for the GPU resource.

Note that instant access 2D resources, like textures and render-targets, unless specifically requested as linearly allocated, are *not* organized in a linear pattern, but instead in an intertwined pattern called tiling. Additionally, the memory addressing used can go through an extra operation called CSX swizzling.

The tiling and swizzling operations required for the mapped surface are described through the `MAP_DATA::TileFormat` field.

Various tiling patterns are supported by the hardware, depending on the usage pattern, as detailed in the next sections.

#### 5.1.3.2.1 (DirectX only) MAP\_TILE\_TYPE\_LINEAR:

Typically used for buffers, or other resources that have been allocated with the flag

```
RESOURCE_EXTENSION_DIRECT_ACCESS::CREATION_FLAGS_LINEAR_ALLOCATION
```

They get addressed as any linear resource, where the element location  $(x, y)$  is at memory location

```
pBaseAddress + (Yoffset + y) * Pitch + (Xoffset + x) * pixel_size
```

#### 5.1.3.2.2 (DirectX only) MAP\_TILE\_TYPE\_TILE\_Y\_NO\_CSX\_SWIZZLE:

With this tiling, the full surface is organized in 4 KB tiles (a footprint of 128Bx32 rows) that are organized in a row-major pattern, and `MAP_DATA::Pitch` corresponds to the byte count corresponding to a full row of tiles.

This code is here to explain the organization of the tiled data; however, it is **not the recommended way of writing performance code**. See the next section for how to access memory in a high performance way.

The memory address for element  $(x, y)$  can be constructed in 3 steps:

1. Finding the tile containing the element.
2. Finding the offset within the tile of that element.
3. Recombining all the parts together.

Step 1 can conceptually be achieved like this:

```
tileOfInterestX = ((Xoffset + x) * pixel_size) / 128
tileOfInterestY = (Yoffset + y) / 32
```

The 2D address within the tile is:

```
XwithinTile = ((Xoffset + x) * pixel_size) % 128
YwithinTile = (Yoffset + y) % 32
```

To perform step 2, you need to know the addressing pattern within the tile. It intertwines those 2 offsets in the following bit pattern: `X6X5X4Y4Y3Y2Y1Y0X3X2X1X0`, where `X6X5X4X3X2X1X0` is the binary representation of `XwithinTile`, and `Y4Y3Y2Y1Y0` is the binary representation of `YwithinTile`.

Thus the offset within the tile can be computed as follows:

```
Offset_x = (XwithinTile & 0xF) | ((XwithinTile & 0x70) << 5)
Offset_y = (YwithinTile & 0x1F) << 4
Offset = Offset_x | Offset_y
```

The full address of the pixel can then be reconstructed:

```
Address = (tileOfInterestY * Pitch) + (tileOfInterestX * 4096) + Offset
```

#### 5.1.3.2.3 (DirectX only) MAP\_TILE\_TYPE\_TILE\_Y:

`MAP_TILE_TYPE_TILE_Y` adds a simple operation to the way that `MAP_TILE_TYPE_TILE_Y_NO_CSX_SWIZZLE` generates addresses. It adds a bit operation on the final address, with bits 6 and 9 of the final address XORed together. This is the CSX swizzle operation.

```
FinalAddress = Address ^ ((Address & (1<<9)) >> 3)
```

#### 5.1.3.2.4 (DirectX only) Writing performant code to do tiling and swizzling

The sample code for [CPU texture compositing](#) shows how to load data directly to a TileY resource in a performant manner. It builds upon a [method documented](#) by Fabian Giesen.

The one major change to the method is the one he himself recommends: making the code tiling-pattern aware by changing the amount of data processed in the inner loop to process a cacheline-worth of data.

#### 5.1.3.3 (DirectX only) Memory Properties

As of the first instantiation of the instant access extension, the memory mapping that is returned is Uncached Speculative Write-combine (USWC). As a result, contiguous writes (i.e., consecutive writes to incrementing addresses with no gaps) are required to see the performance improvements from the extension. Also, reads from the resource need to take special care to read the data in cacheable memory for increased throughput.

#### 5.1.3.4 (DirectX only) Caching and Synchronization Considerations

While the extension allows sharing memory, it still requires that you Map and Unmap your resource to get the pointer to the underlying memory. This acts as both a synchronization point for resources written to (so that the GPU can finish writing to the resource before the CPU can see the new data), as well as a cache coherency notification to the driver.

The Map call follows the same synchronization rules as the regular Map call, with the D3D types and flags providing the typical synchronization features (`D3D11_MAP_WRITE_DISCARD`, `D3D11_MAP_WRITE_NO_OVERWRITE`, `D3D11_MAP_FLAG_DO_NOT_WAIT`, etc.)

## 5.2 (OpenGL only) Intel Iris Graphics Extensions to OpenGL

There are two OpenGL extensions, similar to those discussed above for DirectX. One extension lets you efficiently enforce the ordering of pixel accesses within fragment shaders. The other lets CPU code access the GPU's memory for faster texture uploads and accesses.

### 5.2.1 (OpenGL only) Fragment Shader Ordering

Fragment shaders may run in parallel but access the same coordinates. This can cause non-deterministic behavior. To synchronize access to shared coordinates, use this extension. When you enable the extension in your fragment shader, it blocks fragment shader invocations until invocations from previous primitives (that map to the same coordinates) are done executing. This also blocks the same sample, when per-sample shading is active.

For more details on how to enable and control this extension, see the description in the OpenGL registry at [http://www.opengl.org/registry/specs/INTEL/fragment\\_shader\\_ordering.txt](http://www.opengl.org/registry/specs/INTEL/fragment_shader_ordering.txt).

### 5.2.2 (OpenGL only) Map Texture

Since the CPU and GPU share the same physical memory, it is possible to speed up texture upload and access. With the map texture extension, the CPU has direct access to the GPU texture memory.

One challenge with this extension is that textures are often tiled. Texels are kept in a specific layout to improve locality of reference, for fast texturing. When using this extension, textures are linear. Although this

may slow down texture sampling, it can be more than offset by the performance gained when uploading the textures in the first place.

To learn more about this extension, read about it in the OpenGL registry at [http://www.opengl.org/registry/specs/INTEL/map\\_texture.txt](http://www.opengl.org/registry/specs/INTEL/map_texture.txt).

## 6 Power Efficiency

Mobile and ultra-mobile computing are becoming ubiquitous. As a result, battery life has become a significant issue for players. As manufacturing processes continue to shrink and improve, we see improved performance-per-watt characteristics of CPUs and processor graphics. However, there are many ways that software can reduce power use on mobile devices.

### 6.1 Power Background

The Advanced Configuration and Power Interface (ACPI) is the modern standard used by operating systems to optimize power use. The processor implements power and thermal management features to correspond to the ACPI features. When the processor is on, it will vary between different power states, known as "P-States" and "C-States". These power states define how much the processor is sleeping.

How do you determine power state behavior? You'll measure how much time your application is spending in each state. Since each state uses a different amount of power, you'll get a picture over time of your application's power use.

To start, measure your application's power baseline usage in three cases:

1. At idle, for example in the UI
2. Under average load, for example during an average scene with average effects
3. Under worst-case load, for example in a maximum scene with maximum effects

These are your application's Idle, Average, and Max Power.

Your worst-case load may not be where you think it is. We have seen very high frame rates (1000 FPS) for cut-scene playback in shipping applications. This uses unnecessary power in the GPU and CPU.

You should also measure how long (on average) your application can run on battery, and you should compare your application with other similar applications.

Measuring power consumption regularly will let you know if any recent changes caused your application to use more power.

[Intel Battery Life Analyzer](#) is a good (Windows-only) tool for this pre-work. See this [article showcasing BLA](#) to collect high-level data and analyze the application's power use. If this data shows you have issues residing in the wrong C-States for too long, then it's time to look deeper.

### 6.2 Power Efficient Programming

How can you write more power-efficient code? Here are some simple steps you can take.

## 1. Be aware of system power settings and power profile, and scale your application's settings

Although it was once necessary to poll for this data (e.g., using `GetSystemPowerStatus()`), since Windows Vista\*, Windows supports asynchronous power notification APIs. Use `RegisterPowerSettingNotification()` with the appropriate GUID to track changes.

Scale your application's settings and behavior, based on power profile and whether your device is plugged in to power. Consider scaling resolution, reducing the max frame rate to a cap, and reducing quality settings. Review this article that [shows possible power efficiency gains](#) by watching for changed power states.

If your application has high frame rates during cut-scenes, menus, or other low-GPU-intensive parts, it would still look fine if you locked the Present interval to a 60 Hz display refresh rate. Watch for this behavior in menus, loading screens, and other low-GPU-intensive parts of games.

You could use the V-Sync mechanism in DirectX or OpenGL, but you can also manage frame rate and resolution yourself. The [dynamic resolution rendering](#) sample shows how to adjust frame resolution to maintain a frame rate.

## 2. Run as slow as you can, while remaining responsive

Detect when you are in a power-managed mode and limit frame rate. This will prolong battery life and also allow your system to run cooler. For benchmarking, it is sensible to be able to disable the frame rate limit, but warn your player that they will discharge the battery quickly. You may also want to let the player control the frame rate cap.

### a. Run the UI at a reduced frame rate

The UI usually changes much more slowly than the game scene. Often the UI is limited to small panels for displays like health, powerups, and other status. Use off-screen buffers and do smart compositing. Here again, Dynamic Resolution Rendering may be useful, to decouple UI rendering from main scene rendering.

### b. Render the scene at a reduced frame rate, perhaps different than the UI

Running at 30 Hz instead of 60 Hz can save significant power. Consider reducing the scene to 30 Hz when on battery.

## 3. Manage timers and respect system idle

Reduce your application's reliance on high-resolution periodic timers.

Avoid use of `Sleep()` calls in tight loops and instead use `Wait*()` APIs since using `Sleep()` or any other "busy-wait" API can cause the OS to keep the machine out of the Idle state. The [mobile platform idle optimization](#) article has a good section on which APIs to use and not use.



```

HRESULT res;
IDirect3DQuery9 *pQuery;

// create a query
res = pDevice->CreateQuery(..., &pQuery);
...

// busy-wait for query data
while ( (res = pQuery->GetData(..., 0)) == S_FALSE);

```

**Example 6.1: Power Inefficient Graphics Busy Wait Loop, using DirectX\***

In addition to `sleep()` calls, avoid any “busy-wait” calls. In this example, the D3D query will be called repeatedly, causing unnecessary power use. There’s no way for the OS or the power management hardware to tell that the code does nothing useful.

#### 4. Multithread sensibly

Balanced threading has performance benefits, but you need to consider this along with the GPU. Imbalanced threading can result in lower performance and reduced power efficiency. Try to avoid affinitizing threads, so the OS can schedule threads directly. If you must, provide hints using `SetIdealProcessor()`.

#### 5. Make sensible use of hardware blocks and devices

If your data IO and network usage is poor, the optimizations you performed on the CPU and GPU won’t get you the maximum benefit. This [article](#) does a great power analysis of various IO strategies, and this [article](#) adds a bit more data in the context of SATA hard disk reads. The [same article](#) also has a section on data transfer across a network and the cost/benefits of compression strategies.

#### 6. Use the right loops and algorithms

[Avoid use of tight loops](#). If you have a polling architecture that uses a tight loop, convert it to an event-driven architecture. If you must poll, use the largest polling interval possible.

Study your algorithms; prefer ones that finish sooner, allowing the processor to reach idle. Be smart about use of memory, and take advantage of your caches through choice of algorithm and data decomposition.

## 6.3 Power Analysis Workflow

How can we tell if it’s working?

### 1. Baseline

Start with [BLA](#). Measure baselines under idle, average, and worst-case loads. Measure similar applications for comparison.

If your app is reported as “deficient” or there are unexpected wakeups, then you should start optimizing for power. Look at [Windows Performance Analyzer](#). This article [showcases workflow using WPA](#) for CPU analysis.

## 2. Measure during development, to avoid surprises

Measure regularly and compare against the baselines.

## 3. Use platform power tools to optimize usage

If code modifications introduce a new power deficiency, restart your optimization process. VTune Amplifier XE is also useful to get power call stacks since it can identify the cause of the wake-up. Use this data to reduce or consolidate wake-ups, thus remaining in a lower power state longer.

## 4. Rinse and repeat

As with other kinds of optimization, power optimization needs to be done frequently. Repeat when your measurements show the need.

# 7 DirectX 9

## 7.1 Legacy Fixed-Function State

The graphics architecture in 4th gen Intel Core processors does not include special hardware to implement a number of the legacy fixed-function states used by DirectX 9. These must be implemented by the shader compiler instead. Changes to these states require recompiling shaders, which can result in visible hitching and jitter.

We recommend avoiding the following states:

- Fog
- User clip planes
- Alpha test

Instead of using these states, implement equivalent functionality in shaders that need it.

## 7.2 FOURCC Extensions

For DirectX 9, the table below shows the supported format extension. Refer to the code in GPU Detect for run-time detection on Intel hardware, as support may also depend on the driver version.

Table 7:1: Supported DirectX\* 9 Format Extensions

DirectX 9 Format	Description
NULLRT	Null render target for use when rendering to depth or stencil buffer with no color writes. Consumes no memory.
ATI1N	One component compressed texture format similar to DXGI_FORMAT_BC4.
ATI2N	Two component compressed texture format similar to DXGI_FORMAT_BC5.
INTZ	Allows native depth buffer to be used as a texture.
RESZ	Allows a multisampled depth buffer to be resolved into a depth stencil texture.
DF24	Allows native depth buffer to be used as a texture.
DF16	Allows native depth buffer to be used as a texture.
ATOC	Alpha to coverage for transparency multisampling.
ATIATOC	Alpha to coverage for transparency multisampling (alternate implementation).

## Appendix - Example Code

### GPU Detect

This DirectX sample demonstrates how to get the vendor and ID from the GPU. For Intel processor graphics, the sample also demonstrates a default graphics quality preset (low, medium, or high), support of DX9 and DX11 extensions, the recommended method for querying the amount of video memory, and if supported by the hardware and driver, the recommended method for querying the minimum and maximum frequency.

The sample uses a config file that lists many Intel GPUs, by vendor ID and device ID, along with a suggested graphics quality level for that device. You should test some representative devices with your application, and decide the right quality level that you can use for each.

If you need to know how much video memory is available, call `getVideoMemory()`.

For the device ID, call `getGraphicsDeviceInfo()` and then use `getDefaultFidelityPresets()` to get the suggested configuration from the config file. To see the supported extensions with your current device and driver, look at `checkDX9Extensions()` and `CheckDxExtensionVersion()`. To measure the GPU frequency, use `getGPUFrequency()`. The combination of these results for your device and driver will let you understand how you should set defaults for your application.

Intel's newest processors may have large variations in GPU frequency, even between devices with the same device ID. This is because there are many different packages, with different power and frequency options to

support a wide variety of devices in the market. While this was true in earlier generations, there are more variations in this generation than ever before.

So, don't forget to check the GPU frequency in addition to the device ID when you choose resolution and quality settings.

Visit the [GPU Detect page](#) for details.

## Pixel Synchronization Sample – Programmable Blend

As discussed above, pixel synchronization guarantees ordered access to unordered access view (UAV) resources from a pixel shader.

The sample walks you through detecting the pixel synchronization extension and shows one way to use pixel synchronization. In this case, a custom render target format is used; because it's in a custom format, it's not suitable for fixed function blending. The sample renders all the opaque geometry, then binds the render target as a UAV. Pixel synchronization allows the pixel shaders to blend the transparent geometry.

Pixel Shader Ordering guarantees ordered access to unordered access view resources from a pixel shader. This sample demonstrates how to use Pixel Shader Ordering to perform blending in a pixel shader without using fixed function blending.

Check the [programmable blend sample and article](#) for details.

## Instant Access Sample – CPU Texture Compositing

The instant access extension gives the CPU direct access to memory that's allocated for use by the GPU.

In this sample, the terrain is broken up into tiles, where each tile composites multiple diffuse and normal map textures, based on a blend texture that spans the terrain. Tiles surrounding the camera use a single diffuse texture and a single normal texture that are composited on the CPU.

The sample compares an implementation without instant access with the same algorithm using instant access. The original implementation composites textures asynchronously into staging textures. Once composited, the texture is copied to a standard Texture2D resource. The execution units must swizzle the linear format of the staging buffer into the tiled format used by the texture.

The instant access version is similar, but the composited texture is copied and swizzled directly into the texture memory, thus avoiding the synchronous copy. Since it does the swizzle on the CPU, it saves valuable GPU execution time.

For details, see the [CPU texture compositing sample and article](#).

## References

To find the most recent graphics developer guide, as well as earlier versions, see the [developer guide page](#).

For product information, support forums, and to download Intel Graphics Performance Analyzers, check the [Intel GPA page](#).

To get a trial version of VTune Amplifier XE, visit the [Intel software tools eval page](#).

You can read about GPUView and learn how to install it [here](#).

Other tools you may find useful:

[Request access](#) to the Intel Battery Life Analyzer

Intel® [PowerGadget](#)

Intel® [EnergyChecker SDK](#)

Microsoft [Windows Performance Analyzer](#)

Intel® [PowerInformer](#)

Other samples referenced in the document:

[Morphological anti-aliasing sample](#)

[Dynamic resolution rendering sample](#)

[Software occlusion culling sample](#)

[Sample distribution shadow maps](#)

[Programmable blend sample](#)

[Adaptive volumetric shadow maps](#)

[Adaptive transparency paper](#)

[CPU texture compositing](#)

[Dynamic resolution rendering](#)

[Conservative morphological anti-aliasing article and sample](#)

[OpenGL fragment shader ordering extension](#)

[OpenGL map texture extension](#)

Power references:

[ACPI Basics](#)

[C-States](#)

[Power Community](#)

[Energy Efficient Guidelines](#)

[Creating Energy Efficient Software Part I](#)

[Creating Energy Efficient Software Part II](#)

[Creating Energy Efficient Software Part III](#)

[Creating Energy Efficient Software Part IV](#)

[Energy Efficient Platforms - Considerations for Applications](#)

[Using BLA for Studying Power](#)

[Application Power Management for Mobility](#), out-of-date usage of `GetSystemPowerStatus` but still valuable

[Maximizing Power on Mobile Platforms](#)

[Mobile Platform Idle Optimization](#)

[Idle Software Battery Life](#)

[Enabling Games for Power](#)

[Power Analysis of Disk IO Methodologies](#)

[Power Enabling on Windows Vista](#)

[Windows 8 Power Optimization](#)

[Optimizing Windows 8 for Connected Standby](#), good discussion of tools and flow especially WPA

[Power Analysis Guide for Windows](#), has a good set of steps

[Fine-grained Analysis](#), follows similar steps to those recommended here and elsewhere

## Notices

INFORMATION IN THIS DOCUMENT IS PROVIDED IN CONNECTION WITH INTEL PRODUCTS. NO LICENSE, EXPRESS OR IMPLIED, BY ESTOPPEL OR OTHERWISE, TO ANY INTELLECTUAL PROPERTY RIGHTS IS GRANTED BY THIS DOCUMENT. EXCEPT AS PROVIDED IN INTEL'S TERMS AND CONDITIONS OF SALE FOR SUCH PRODUCTS, INTEL ASSUMES NO LIABILITY WHATSOEVER AND INTEL DISCLAIMS ANY EXPRESS OR IMPLIED WARRANTY, RELATING TO SALE AND/OR USE OF INTEL PRODUCTS INCLUDING LIABILITY OR WARRANTIES RELATING TO FITNESS FOR A PARTICULAR PURPOSE, MERCHANTABILITY, OR INFRINGEMENT OF ANY PATENT, COPYRIGHT OR OTHER INTELLECTUAL PROPERTY RIGHT.

UNLESS OTHERWISE AGREED IN WRITING BY INTEL, THE INTEL PRODUCTS ARE NOT DESIGNED NOR INTENDED FOR ANY APPLICATION IN WHICH THE FAILURE OF THE INTEL PRODUCT COULD CREATE A SITUATION WHERE PERSONAL INJURY OR DEATH MAY OCCUR.

Intel may make changes to specifications and product descriptions at any time, without notice. Designers must not rely on the absence or characteristics of any features or instructions marked "reserved" or "undefined." Intel reserves these for future definition and shall have no responsibility whatsoever for conflicts or incompatibilities arising from future changes to them. The information here is subject to change without notice. Do not finalize a design with this information.

The products described in this document may contain design defects or errors known as errata which may cause the product to deviate from published specifications. Current characterized errata are available on request.

Contact your local Intel sales office or your distributor to obtain the latest specifications and before placing your product order.

Copies of documents which have an order number and are referenced in this document, or other Intel literature, may be obtained by calling 1-800-548-4725, or go to: <http://www.intel.com/design/literature.htm>

Software and workloads used in performance tests may have been optimized for performance only on Intel microprocessors. Performance tests, such as SYSmark\* and MobileMark\*, are measured using specific computer systems, components, software, operations, and functions. Any change to any of those factors may cause the results to vary. You should consult other information and performance tests to assist you in fully evaluating your contemplated purchases, including the performance of that product when combined with other products.

Any software source code reprinted in this document is furnished under a software license and may only be used or copied in accordance with the terms of that license.

Intel, the Intel logo, Core, Iris, and VTune are trademarks of Intel Corporation in the U.S. and/or other countries.

Copyright © 2014 Intel Corporation. All rights reserved.

\*Other names and brands may be claimed as the property of others.

OpenCL and the OpenCL logo are trademarks of Apple Inc and are used by permission by Khronos.

---

<sup>i</sup> Requires a system with Intel® Turbo Boost Technology. Intel Turbo Boost Technology and Intel Turbo Boost Technology 2.0 are only available on select Intel® processors. Consult your PC manufacturer. Performance varies depending on hardware, software, and system configuration. For more information, visit <http://www.intel.com/go/turbo>.